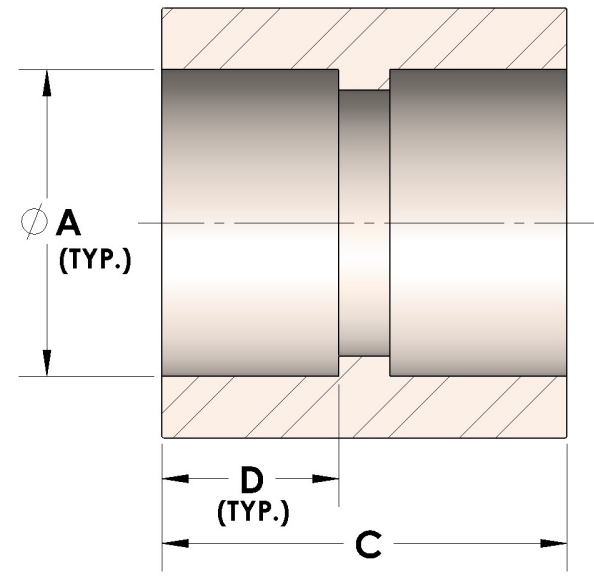




Product Category
Part Description

H847-24-BR
Direct Socketweld/Braze Coupling (Tube)



DIMENSIONS

| | |
|---|-------|
| A | 1.500 |
| C | 1.38 |
| D | 0.630 |

GENERAL

| | |
|------------------|-----------------------------------|
| Pressure Rating | 3000 PSI |
| Fitting Material | Naval Brass, ASTM B21, UNS C46400 |

The complete catalog contents must be reviewed to ensure that the system designer and user make a safe product selection. When selecting products, the total system design must be considered to ensure safe, trouble-free performance. Function, material compatibility, adequate ratings, proper installation, operation, and maintenance are the responsibilities of the system designer and user. Caution: Do not mix or interchange valve components with those of other manufacturers.