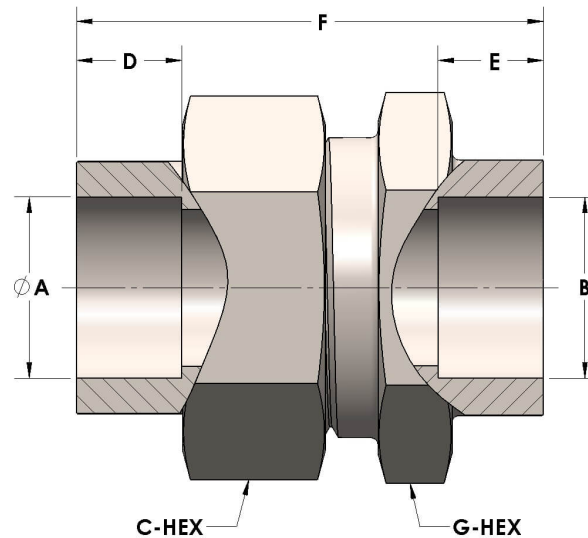




Product Category  
Part Description

H849-20-M  
Socketweld/braze Tube Union Assembly



## DIMENSIONS

A	1.250
B	1.25
C-HEX	2
D	0.560
E	0.56
F	2.31
G-HEX	1.88

## GENERAL

Pressure Rating	4500 PSI
Assembly Material	Monel®, ASTM B164, UNS N04405
O-Ring Material	Viton® Fluorocarbon Type 1, Class 2 (90 durometer)
Connection 1 Type	Female Tube Socket
Connection 1 Size	1.25" Tube O.D. (-20)
Connection 2 Type	Female Tube Socket
Connection 2 Size	1.25" Tube O.D. (-20)

The complete catalog contents must be reviewed to ensure that the system designer and user make a safe product selection. When selecting products, the total system design must be considered to ensure safe, trouble-free performance. Function, material compatibility, adequate ratings, proper installation, operation, and maintenance are the responsibilities of the system designer and user. Caution: Do not mix or interchange valve components with those of other manufacturers.