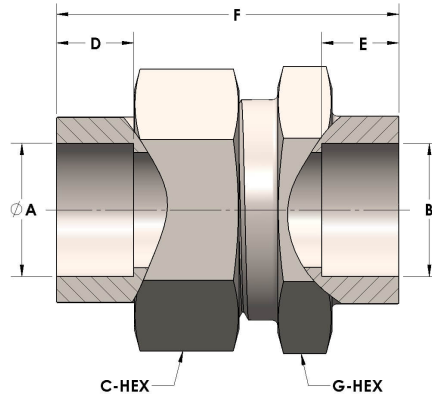


Product Category

H849-24-M

Part Description

Socketweld/braze Tube Union Assembly



DIMENSIONS

A	1.500
B	1.50
C-HEX	2.38
D	0.630
E	0.63
F	2.50
G-HEX	2.25

GENERAL

Pressure Rating	4500 PSI
Assembly Material	Monel®, ASTM B164, UNS N04405
O-Ring Material	Viton® Fluorocarbon Type 1, Class 2 (90 durometer)
Connection 1 Type	Female Tube Socket
Connection 1 Size	1.50" Tube O.D. (-24)
Connection 2 Type	Female Tube Socket
Connection 2 Size	1.50" Tube O.D. (-24)