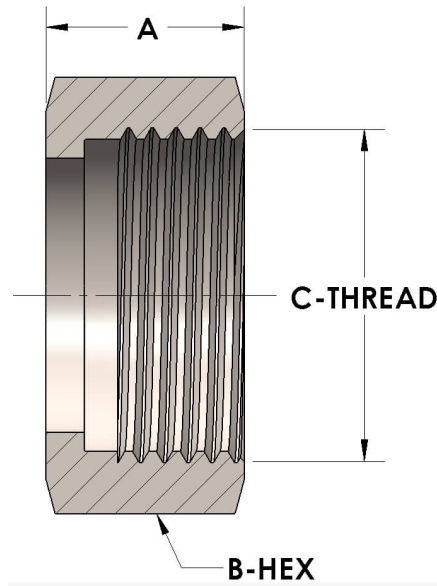


Product Category

H850N-04-NAB

Part Description

Union Nut



DIMENSIONS

A	0.380
B-HEX	0.63
C-THREAD	.563" - 18 UNF

GENERAL

Pressure Rating	6000 PSI
Union Nut Material	Nickel Aluminum Bronze, ASTM B150, UNS C63200