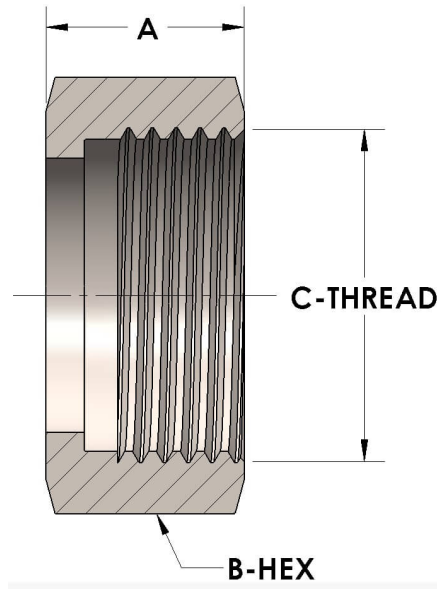


Product Category

H850N-20-S

Part Description

Union Nut



DIMENSIONS

A	0.750
B-HEX	2
C-THREAD	1.750" - 12UN

GENERAL

Pressure Rating	6000 PSI
Union Nut Material	Carbon Steel, ASTM A108