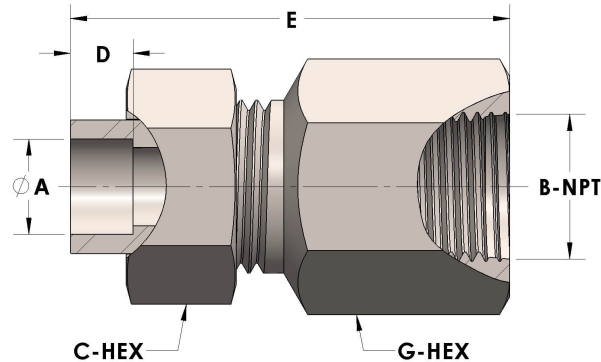




Product Category
Part Description

H853-06-06-SS316L
Tube to Female Pipe Thread Union Assembly



DIMENSIONS

| | |
|-------|-----------|
| A | 0.380 |
| B-NPT | 3/8" - 18 |
| C-HEX | 0.94 |
| D | 0.250 |
| E | 1.94 |
| G-HEX | 0.88 |

GENERAL

| | |
|-------------------|--|
| Pressure Rating | 4500 PSI |
| Assembly Material | 316/L Stainless Steel, ASTM A276, UNS S31600/03 |
| O-Ring Material | Viton® Fluorocarbon Type 1, Class 2 (90 durometer) |
| Connection 1 Type | Female Tube Socket |
| Connection 1 Size | 3/8" Tube O.D. (-06) |
| Connection 2 Type | Female Pipe Thread |
| Connection 2 Size | 3/8" NPT (-06) |