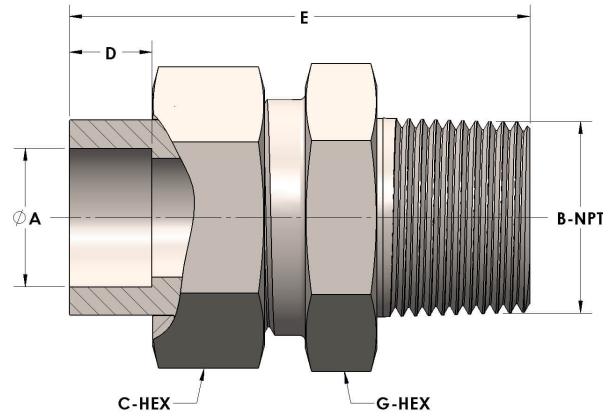




Product Category
Part Description

H854-02-04-SS316L
Tube to Male Pipe Thread Union Assembly



DIMENSIONS

| | |
|-------|-----------|
| A | 0.130 |
| B-NPT | 1/4" - 18 |
| C-HEX | 0.63 |
| D | 0.190 |
| E | 1.56 |
| G-HEX | 0.63 |

GENERAL

| | |
|-------------------|--|
| Pressure Rating | 6000 PSI |
| Assembly Material | 316/L Stainless Steel, ASTM A276, UNS S31600/03 |
| O-Ring Material | Viton® Fluorocarbon Type 1, Class 2 (90 durometer) |
| Connection 1 Type | Female Tube Socket |
| Connection 1 Size | 1/8" Tube O.D. (-02) |
| Connection 2 Type | Male Pipe Thread |
| Connection 2 Size | 1/4" NPT (-04) |

The complete catalog contents must be reviewed to ensure that the system designer and user make a safe product selection. When selecting products, the total system design must be considered to ensure safe, trouble-free performance. Function, material compatibility, adequate ratings, proper installation, operation, and maintenance are the responsibilities of the system designer and user. Caution: Do not mix or interchange valve components with those of other manufacturers.