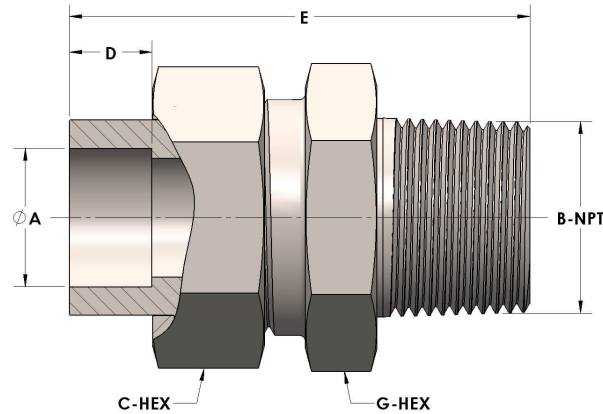




Product Category  
Part Description

H854-16-16-S  
Tube to Male Pipe Thread Union Assembly



## DIMENSIONS

A	1.000
B-NPT	1.000" - 11.5
C-HEX	1.63
D	0.500
E	2.81
G-HEX	1.63

## GENERAL

Pressure Rating	3000 PSI
Assembly Material	Carbon Steel, ASTM A108
O-Ring Material	Viton® Fluorocarbon Type 1, Class 2 (90 durometer)
Connection 1 Type	Female Tube Socket
Connection 1 Size	1" Tube O.D. (-16)
Connection 2 Type	Male Pipe Thread
Connection 2 Size	1" NPT (-16)