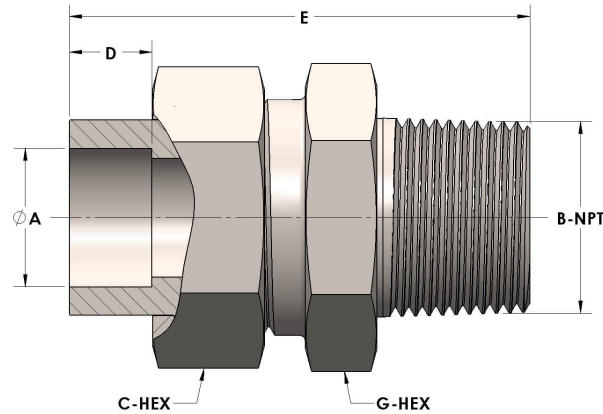




Product Category  
Part Description

H854-32-32-S  
Tube to Male Pipe Thread Union Assembly



## DIMENSIONS

A	2.000
B-NPT	2.500" - 8
C-HEX	3.25
D	0.880
E	3.63
G-HEX	3

## GENERAL

Pressure Rating	4500 PSI
Assembly Material	Carbon Steel, ASTM A108
O-Ring Material	Viton® Fluorocarbon Type 1, Class 2 (90 durometer)
Connection 1 Type	Female Tube Socket
Connection 1 Size	2.00" Tube O.D. (-32)
Connection 2 Type	Male Pipe Thread
Connection 2 Size	2.50" NPT (-32)

The complete catalog contents must be reviewed to ensure that the system designer and user make a safe product selection. When selecting products, the total system design must be considered to ensure safe, trouble-free performance. Function, material compatibility, adequate ratings, proper installation, operation, and maintenance are the responsibilities of the system designer and user. Caution: Do not mix or interchange valve components with those of other manufacturers.