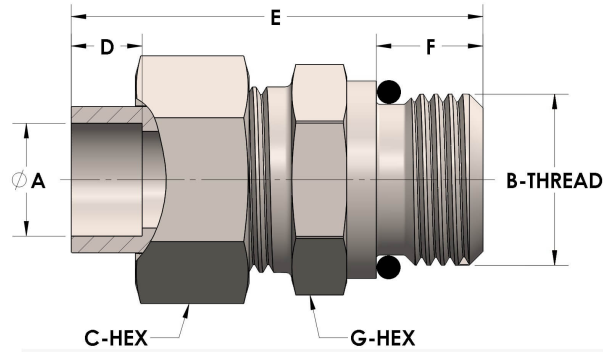




Product Category
Part Description

H859-02-02-M
Tube to Male Straight Thread Union Assembly



DIMENSIONS

A	0.130
B-THREAD	,313" - 24UNF
C-HEX	0.5
D	0.190
E	1.38
G-HEX	0.5

GENERAL

Pressure Rating	6000 PSI
Assembly Material	Monel®, ASTM B164, UNS N04405
O-Ring Material	Viton® Fluorocarbon Type 1, Class 2 (90 durometer)
Connection 1 Type	Female Tube Socket
Connection 1 Size	1/8" Tube O.D. (-02)
Connection 2 Type	Male Straight Thread
Connection 2 Size	,313" - 24UNF (-02)

The complete catalog contents must be reviewed to ensure that the system designer and user make a safe product selection. When selecting products, the total system design must be considered to ensure safe, trouble-free performance. Function, material compatibility, adequate ratings, proper installation, operation, and maintenance are the responsibilities of the system designer and user. Caution: Do not mix or interchange valve components with those of other manufacturers.