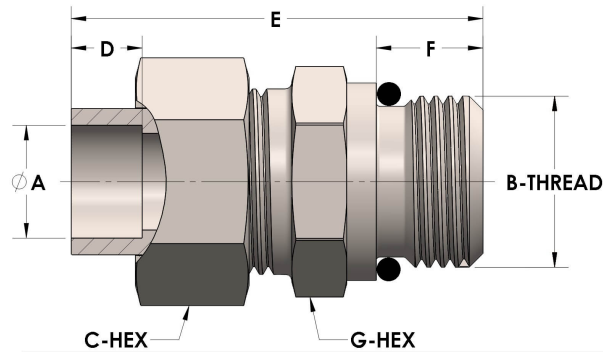




Product Category
Part Description

H859-02-02-SS316L
Tube to Male Straight Thread Union Assembly



DIMENSIONS

A	0.130
B-THREAD	,313" - 24UNF
C-HEX	0.5
D	0.190
E	1.38
G-HEX	0.5

GENERAL

Pressure Rating	6000 PSI
Assembly Material	316/L Stainless Steel, ASTM A276, UNS S31600/03
O-Ring Material	Viton® Fluorocarbon Type 1, Class 2 (90 durometer)
Connection 1 Type	Female Tube Socket
Connection 1 Size	1/8" Tube O.D. (-02)
Connection 2 Type	Male Straight Thread
Connection 2 Size	,313" - 24UNF (-02)