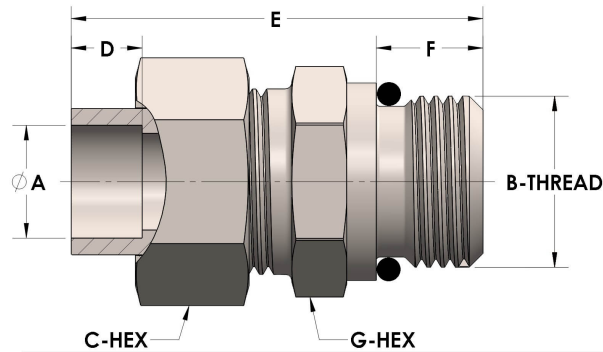




Product Category
Part Description

H859-08-12-S
Tube to Male Straight Thread Union Assembly



DIMENSIONS

| | |
|----------|---------------|
| A | 0.500 |
| B-THREAD | 1.063" - 12UN |
| C-HEX | 1.38 |
| D | 0.310 |
| E | 2.19 |
| G-HEX | 1.38 |

GENERAL

| | |
|-------------------|--|
| Pressure Rating | 4500 PSI |
| Assembly Material | Carbon Steel, ASTM A108 |
| O-Ring Material | Viton® Fluorocarbon Type 1, Class 2 (90 durometer) |
| Connection 1 Type | Female Tube Socket |
| Connection 1 Size | 1/2" Tube O.D. (-08) |
| Connection 2 Type | Male Straight Thread |
| Connection 2 Size | 1.063" - 12UN (-12) |