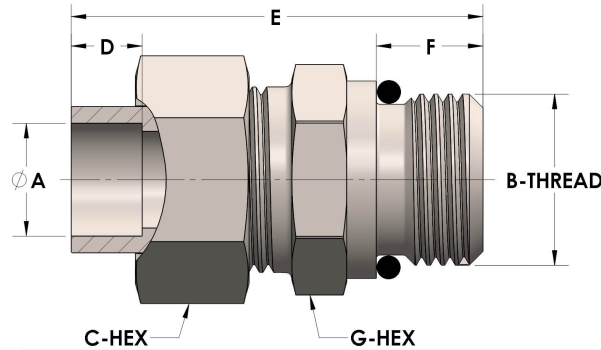




Product Category  
Part Description

H859-20-20-M  
Tube to Male Straight Thread Union Assembly



## DIMENSIONS

A	1.250
B-THREAD	1.625" - 12UN
C-HEX	2
D	0.560
E	2.69
G-HEX	1.88

## GENERAL

Pressure Rating	4500 PSI
Assembly Material	Monel®, ASTM B164, UNS N04405
O-Ring Material	Viton® Fluorocarbon Type 1, Class 2 (90 durometer)
Connection 1 Type	Female Tube Socket
Connection 1 Size	1.25" Tube O.D. (-20)
Connection 2 Type	Male Straight Thread
Connection 2 Size	1.625" - 12UN (-20)