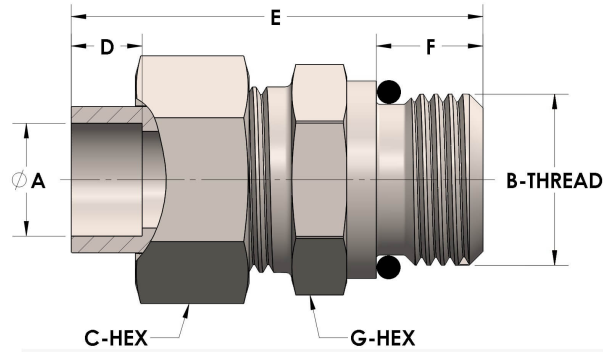




Product Category
Part Description

H859-24-24-M
Tube to Male Straight Thread Union Assembly



DIMENSIONS

A	1.500
B-THREAD	1.875" - 12UN
C-HEX	2.38
D	0.630
E	2.81
G-HEX	2.25

GENERAL

Pressure Rating	4500 PSI
Assembly Material	Monel®, ASTM B164, UNS N04405
O-Ring Material	Viton® Fluorocarbon Type 1, Class 2 (90 durometer)
Connection 1 Type	Female Tube Socket
Connection 1 Size	1.50" Tube O.D. (-24)
Connection 2 Type	Male Straight Thread
Connection 2 Size	1.875" - 12UN (-24)