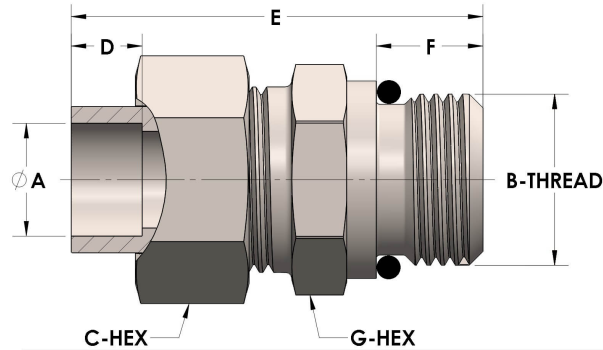




Product Category  
Part Description

H859-32-32-M  
Tube to Male Straight Thread Union Assembly



## DIMENSIONS

A	2.000
B-THREAD	2.500" - 12UN
C-HEX	3.25
D	0.880
E	3.25
G-HEX	3

## GENERAL

Pressure Rating	6000 PSI
Assembly Material	Monel®, ASTM B164, UNS N04405
O-Ring Material	Viton® Fluorocarbon Type 1, Class 2 (90 durometer)
Connection 1 Type	Female Tube Socket
Connection 1 Size	2.00" Tube O.D. (-32)
Connection 2 Type	Male Straight Thread
Connection 2 Size	2.500" - 12UN (-32)