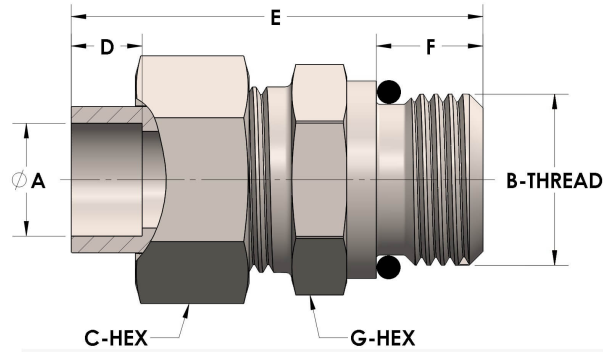




Product Category
Part Description

H859-32-32-SS316L
Tube to Male Straight Thread Union Assembly



DIMENSIONS

A	2.000
B-THREAD	2.500" - 12UN
C-HEX	3.25
D	0.880
E	3.25
G-HEX	3

GENERAL

Pressure Rating	4500 PSI
Assembly Material	316/L Stainless Steel, ASTM A276, UNS S31600/03
O-Ring Material	Viton® Fluorocarbon Type 1, Class 2 (90 durometer)
Connection 1 Type	Female Tube Socket
Connection 1 Size	2.00" Tube O.D. (-32)
Connection 2 Type	Male Straight Thread
Connection 2 Size	2.500" - 12UN (-32)