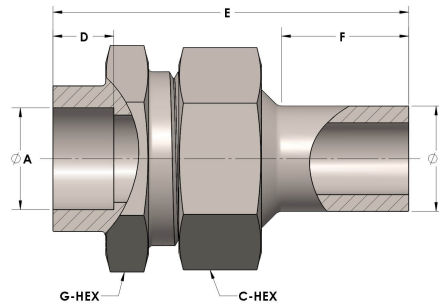


Product Category

H863-16-M

Part Description

Socketweld/braze Tube to Male Tube Union Assembly



## DIMENSIONS

A	1.000
B	1.00
C-HEX	1.63
D	0.500
E	2.88
F	1.06
G-HEX	1.63

## GENERAL

Pressure Rating	6000 PSI
Assembly Material	Monel®, ASTM B164, UNS N04405
O-Ring Material	Viton® Fluorocarbon Type 1, Class 2 (90 durometer)
Connection 1 Type	Female Tube Socket
Connection 1 Size	1" Tube O.D. (-16)
Connection 2 Type	Female Tube Socket
Connection 2 Size	1" Tube O.D. (-16)