

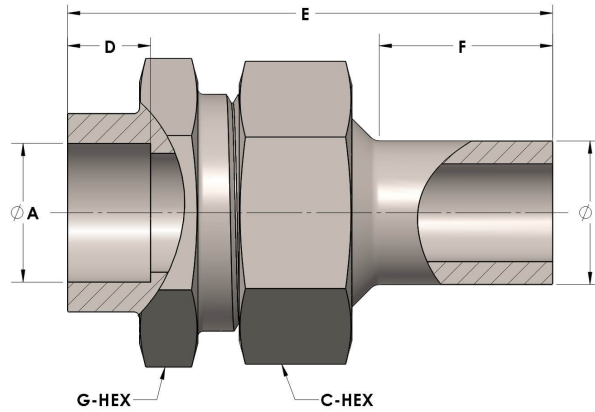


Product Category

H863-24-M

Part Description

Socketweld/braze Tube to Male Tube Union Assembly



DIMENSIONS

A	1.500
B	1.50
C-HEX	2.38
D	0.630
E	3.44
F	1.38
G-HEX	2.25

GENERAL

Pressure Rating	4500 PSI
Assembly Material	Monel®, ASTM B164, UNS N04405
O-Ring Material	Viton® Fluorocarbon Type 1, Class 2 (90 durometer)
Connection 1 Type	Female Tube Socket
Connection 1 Size	1.50" Tube O.D. (-24)
Connection 2 Type	Female Tube Socket
Connection 2 Size	1.50" Tube O.D. (-24)

The complete catalog contents must be reviewed to ensure that the system designer and user make a safe product selection. When selecting products, the total system design must be considered to ensure safe, trouble-free performance. Function, material compatibility, adequate ratings, proper installation, operation, and maintenance are the responsibilities of the system designer and user. Caution: Do not mix or interchange valve components with those of other manufacturers.