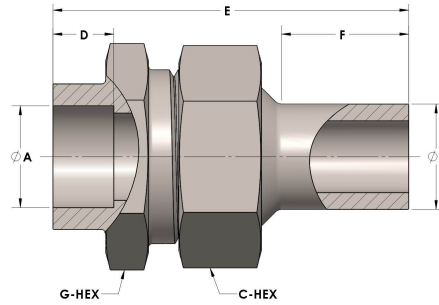


Product Category

H863-24-S

Part Description

Socketweld/braze Tube to Male Tube Union Assembly



## DIMENSIONS

|       |       |
|-------|-------|
| A     | 1.500 |
| B     | 1.50  |
| C-HEX | 2.38  |
| D     | 0.630 |
| E     | 3.44  |
| F     | 1.38  |
| G-HEX | 2.25  |

## GENERAL

|                   |                                                    |
|-------------------|----------------------------------------------------|
| Pressure Rating   | 3000 PSI                                           |
| Assembly Material | Carbon Steel, ASTM A108                            |
| O-Ring Material   | Viton® Fluorocarbon Type 1, Class 2 (90 durometer) |
| Connection 1 Type | Female Tube Socket                                 |
| Connection 1 Size | 1.50" Tube O.D. (-24)                              |
| Connection 2 Type | Female Tube Socket                                 |
| Connection 2 Size | 1.50" Tube O.D. (-24)                              |