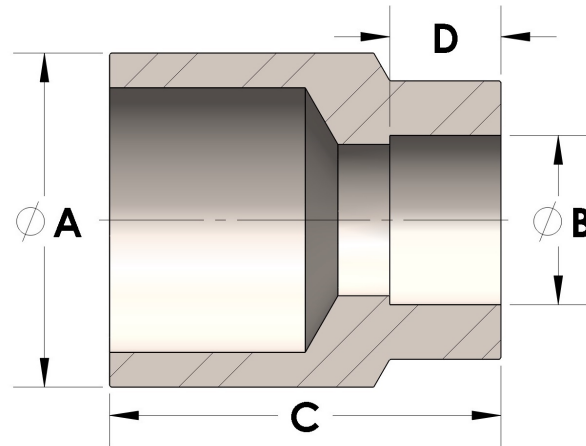




Product Category
Part Description

H865-06-06-CUNI
Direct Weld/Braze Insert (Male Pipe X Tube SW)



DIMENSIONS

A	0.675
B	0.38
C	0.88
D	0.250

GENERAL

Pressure Rating	6000 PSI
Fitting Material	Copper Nickel 70/30, MIL-C--15726F, UNS C71500

cpvmfg.com | 484.731.4010

The complete catalog contents must be reviewed to ensure that the system designer and user make a safe product selection. When selecting products, the total system design must be considered to ensure safe, trouble-free performance. Function, material compatibility, adequate ratings, proper installation, operation, and maintenance are the responsibilities of the system designer and user. Caution: Do not mix or interchange valve components with those of other manufacturers.