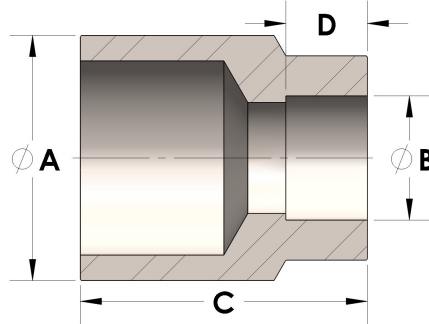


Product Category

H865-16-10-S

Part Description

Direct Weld/Braze Insert (Male Pipe X Tube SW)



DIMENSIONS

A	1.315
B	0.63
C	1.38
D	0.380

GENERAL

Pressure Rating	4500 PSI
Fitting Material	Carbon Steel, ASTM A36/311, UNS K02600/G10180