

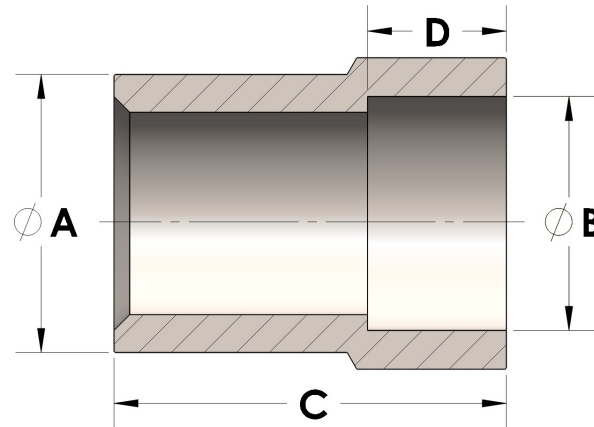


Product Category

H866-12-04-M

Part Description

Direct Weld/Braze Insert (Male Tube X Pipe SW)



DIMENSIONS

| | |
|---|-------|
| A | 0.750 |
| B | 0.55 |
| C | 1.19 |
| D | 0.380 |

GENERAL

| | |
|------------------|-------------------------------|
| Pressure Rating | 6000 PSI |
| Fitting Material | Monel®, ASTM B164, UNS N04405 |

cpvmfg.com | 484.731.4010

The complete catalog contents must be reviewed to ensure that the system designer and user make a safe product selection. When selecting products, the total system design must be considered to ensure safe, trouble-free performance. Function, material compatibility, adequate ratings, proper installation, operation, and maintenance are the responsibilities of the system designer and user. Caution: Do not mix or interchange valve components with those of other manufacturers.