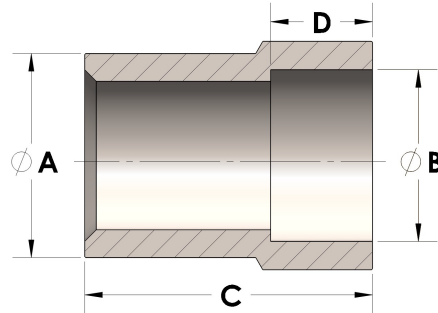


Product Category

H866-24-20-M

Part Description

Direct Weld/Braze Insert (Male Tube X Pipe SW)



## DIMENSIONS

<b>A</b>	1.500
<b>B</b>	1.67
<b>C</b>	2.25
<b>D</b>	0.500

## GENERAL

<b>Pressure Rating</b>	4500 PSI
<b>Fitting Material</b>	Monel®, ASTM B164, UNS N04405