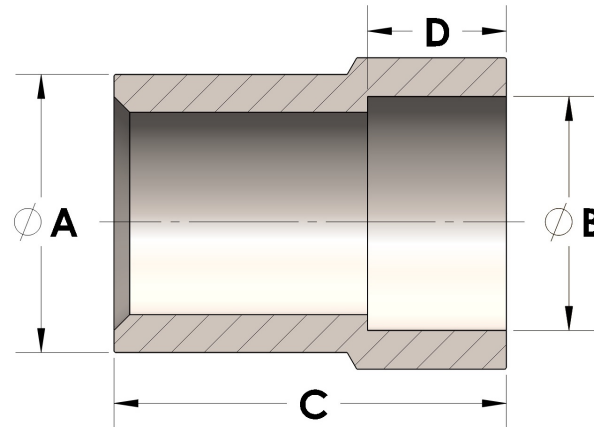




Product Category  
Part Description

H866-24-24-S  
Direct Weld/Braze Insert (Male Tube X Pipe SW)



## DIMENSIONS

A
B
C
D

## GENERAL

Pressure Rating	3000 PSI
Fitting Material	Carbon Steel, ASTM A36/311, UNS K02600/G10180

cpvmfg.com | 484.731.4010

The complete catalog contents must be reviewed to ensure that the system designer and user make a safe product selection. When selecting products, the total system design must be considered to ensure safe, trouble-free performance. Function, material compatibility, adequate ratings, proper installation, operation, and maintenance are the responsibilities of the system designer and user. Caution: Do not mix or interchange valve components with those of other manufacturers.