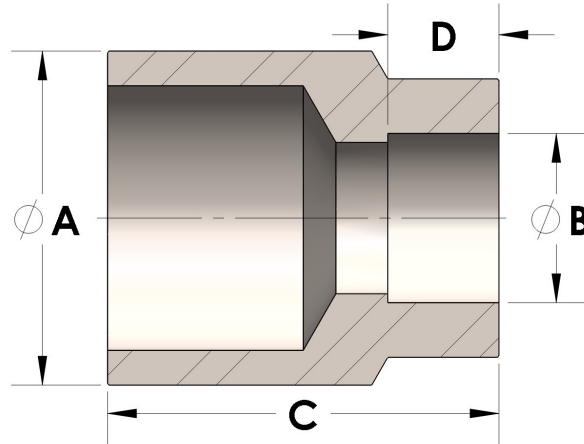




Product Category
Part Description

H867-24-10-M
Direct Weld/Braze Insert (Male Tube X Tube SW)



DIMENSIONS

A	1.500
B	0.63
C	1.50
D	0.380

GENERAL

Pressure Rating	4500 PSI
Fitting Material	Monel®, ASTM B164, UNS N04405

The complete catalog contents must be reviewed to ensure that the system designer and user make a safe product selection. When selecting products, the total system design must be considered to ensure safe, trouble-free performance. Function, material compatibility, adequate ratings, proper installation, operation, and maintenance are the responsibilities of the system designer and user. Caution: Do not mix or interchange valve components with those of other manufacturers.