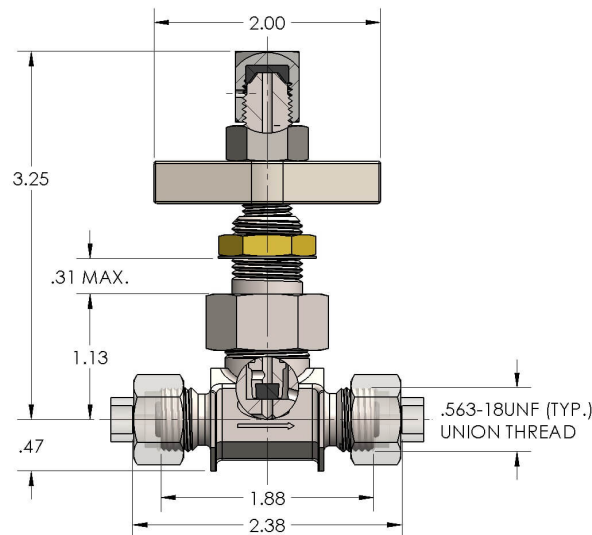




**Product Category**  
**Product Line**  
**Part Description**

980-UNION-1-SS  
Instrument Valves (900 Series)  
Globe Instrument Valve with O-ring Face Seal Union Ends



## GENERAL

<b>Pressure Rating</b>	6000 PSI
<b>Temperature Range</b>	-15°F to 250°F (-26°C to 121°C)
<b>Standard Soft Goods</b>	Viton® O-Rings
<b>Cartridge Type</b>	Shutoff
<b>Connection Type</b>	O-ring Face Seal Union Thread
<b>Connection Size</b>	1/4" Tube O.D.
<b>Body Material</b>	316/L Stainless Steel, ASTM A182, UNS S31603
<b>Bonnet Material</b>	416 Stainless Steel, ASTM A582, UNS S41600
<b>Approved per</b>	MIL-DTL-24578C

## OPTIONS

<b>Optional Soft Goods</b>	Buna-N O-Rings, EPDM O-Rings
----------------------------	------------------------------

The complete catalog contents must be reviewed to ensure that the system designer and user make a safe product selection. When selecting products, the total system design must be considered to ensure safe, trouble-free performance. Function, material compatibility, adequate ratings, proper installation, operation, and maintenance are the responsibilities of the system designer and user. Caution: Do not mix or interchange valve components with those of other manufacturers.