



Product Category

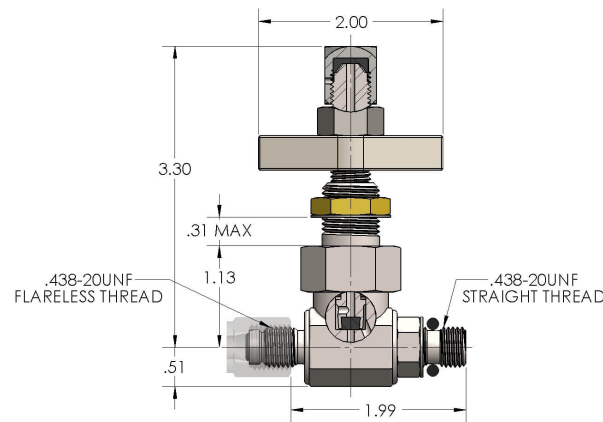
980-B-1-SS

Product Line

Instrument Valves (900 Series)

Part Description

Globe Instrument Valve with Flareless X Straight Thread Ends



## GENERAL

Pressure Rating	6000 PSI
Temperature Range	-30°F to 250°F (-34°C to 121°C)
Standard Soft Goods	Buna-N O-Rings
Cartridge Type	Shutoff
Connection Type	Compression X Straight Thread
Connection Size	1/4 Tube X .438"-20UNF
Body Material	316/L Stainless Steel, ASTM A182, UNS S31603
Bonnet Material	416 Stainless Steel, ASTM A582, UNS S41600
Approved per	NSSC 803-6397304F

## OPTIONS

Optional Soft Goods	Viton® O-Rings, EPDM O-Rings
---------------------	------------------------------

The complete catalog contents must be reviewed to ensure that the system designer and user make a safe product selection. When selecting products, the total system design must be considered to ensure safe, trouble-free performance. Function, material compatibility, adequate ratings, proper installation, operation, and maintenance are the responsibilities of the system designer and user. Caution: Do not mix or interchange valve components with those of other manufacturers.