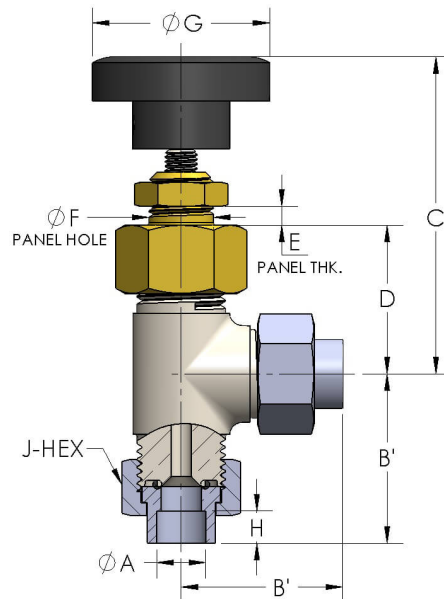




Product Category
Product Line
Part Description

8-08SAU-10
Mark VIII® Shutoff Valve (8-S Series)
Angle Shutoff Valve with Mark VIII® Ends



DIMENSIONS

| | |
|------------|-------|
| Orifice | 0.297 |
| A | 0.630 |
| B" | 2.06 |
| C (Open) | 3.47 |
| C (Closed) | 3.19 |
| D | 1.660 |
| E | 0.38 |
| F | 0.78 |
| G | 1.88 |
| H | 0.38 |
| J-HEX | 1.13 |

GENERAL

| | |
|----------------------------|---|
| Pressure Rating | 3000 PSI |
| Temperature Range | -15°F to 400°F (-26°C to 204°C) |
| Standard Soft Goods | [-C] Viton® O-Rings |
| Cartridge Type | Shutoff |
| Connection Type | Mark VIII® Union Thread |
| Tube O.D. | 5/8" |
| Body Material | 316/L Stainless Steel, ASTM A276, UNS S31603 |
| Bonnet Material | Nickel Aluminum Bronze, ASTM B150, UNS C63200 |

OPTIONS

| | |
|----------------------------|--|
| Optional Soft Goods | [-B] Buna-N O-Rings, [-D] EPDM O-Rings |
|----------------------------|--|

cpvmfg.com | 484.731.4010

The complete catalog contents must be reviewed to ensure that the system designer and user make a safe product selection. When selecting products, the total system design must be considered to ensure safe, trouble-free performance. Function, material compatibility, adequate ratings, proper installation, operation, and maintenance are the responsibilities of the system designer and user. Caution: Do not mix or interchange valve components with those of other manufacturers.