



Product Category

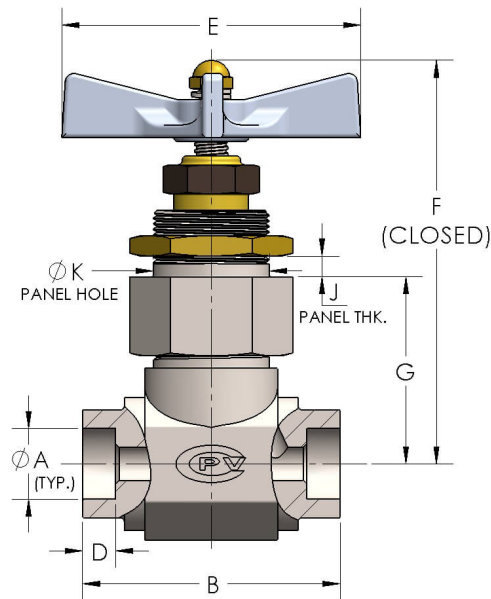
Product Line

Part Description

G4SGPS-16

G-Series® Shutoff Valve (G-S Series)

Globe Shutoff Valve with Socketweld Pipe Ends



## DIMENSIONS

|          |       |
|----------|-------|
| Orifice  | 0.625 |
| A (NPS)  | 1.315 |
| B        | 3.88  |
| D        | 0.500 |
| E        | 5.25  |
| F        | 6.00  |
| G        | 3     |
| J (max.) | 0.56  |
| K        | 1.78  |

## GENERAL

|                   |                                 |
|-------------------|---------------------------------|
| Pressure Rating   | 6000 PSI                        |
| Temperature Range | -15°F to 400°F (-26°C to 204°C) |

|                            |   |
|----------------------------|---|
| <b>Standard Soft Goods</b> | [-G] Polyurethane® Packing and Viton® O-Rings |
| <b>Cartridge Type</b>      | Shutoff                                       |
| <b>Connection Type</b>     | Socketweld Pipe                               |
| <b>Connection Size</b>     | 1.00"   |
| <b>Body Material</b>       | 316/L Stainless Steel, ASTM A182, UNS S31603  |
| <b>Bonnet Material</b>     | 316/L Stainless Steel, ASTM A276, UNS S31603  |

## OPTIONS

|                             |   |
|-----------------------------|---|
| <b>[-VC] Vacuum Service</b> | Option to add additional softgoods for internal vacuum service.   |
| <b>Optional Soft Goods</b>  | [-B] Polyurethane® Packing and Buna-N O-Rings, [-C] Viton® Packing & O-Rings, [-D] EPDM Packing & O-Rings |

cpvmfg.com | 484.731.4010

The complete catalog contents must be reviewed to ensure that the system designer and user make a safe product selection. When selecting products, the total system design must be considered to ensure safe, trouble-free performance. Function, material compatibility, adequate ratings, proper installation, operation, and maintenance are the responsibilities of the system designer and user. Caution: Do not mix or interchange valve components with those of other manufacturers.