



Product Category

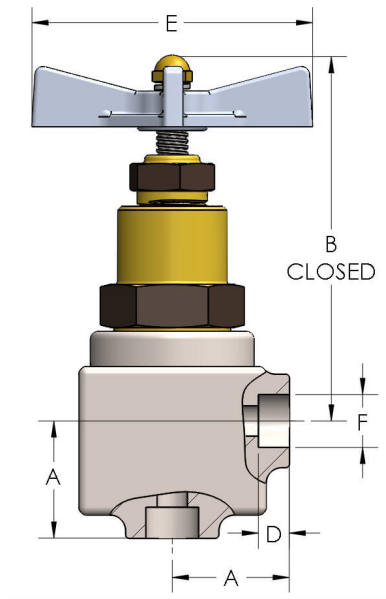
Product Line

Part Description

571-1

O-SEAL® Stop-Check Valves (500 Series)

1/4" Angle Stop-Check Valve with Welded Ends



## DIMENSIONS

|               |       |
|---------------|-------|
| Port Dia.     | 0.31  |
| A             | 1.500 |
| B             | 3.81  |
| D             | 0.380 |
| E             | 3.50  |
| F (Pipe Size) | 0.555 |
| F (Tube Size) | 0.377 |
| Lift          | 0.34  |

## GENERAL

|                     |                                               |
|---------------------|-----------------------------------------------|
| Pressure Rating     | 6000 PSI                                      |
| Temperature Range   | -15°F to 275°F (-26°C to 135°C)               |
| Standard Soft Goods | [-G] Polyurethane® Packing and Viton® O-Rings |

|                        |                                               |
|------------------------|-----------------------------------------------|
| <b>Cartridge Type</b>  | Stop-Check                                    |
| <b>Connection Type</b> | Socketweld                                    |
| <b>Connection Size</b> | 1/4"                                          |
| <b>Body Material</b>   | 316/L Stainless Steel, ASTM A276, UNS S31603  |
| <b>Bonnet Material</b> | Nickel Aluminum Bronze, ASTM B150, UNS C63200 |

## OPTIONS

|                                |                                                                                                                                                |
|--------------------------------|------------------------------------------------------------------------------------------------------------------------------------------------|
| <b>[-VC] Vacuum Service</b>    | Option to add additional softgoods for internal vacuum service.                                                                                |
| <b>[-P] Panel Mount</b>        | Option to add external thread and panel mounting nut to bonnet                                                                                 |
| <b>Port &amp; Vent Options</b> | [-PA] Port Above Seat (1/8" NPT), [-PB] Port Below Seat (1/8" NPT), '[-VA] Vent Above Seat (3/8"-24 SAE), [-VB] Vent Below Seat (3/8"-24 SAE), |
| <b>Optional Soft Goods</b>     | [-B] Polyurethane® Packing and Buna-N O-Rings, [-C] Viton® Packing & O-Rings, [-D] EPDM Packing & O-Rings                                      |

cpvmfg.com | 484.731.4010

The complete catalog contents must be reviewed to ensure that the system designer and user make a safe product selection. When selecting products, the total system design must be considered to ensure safe, trouble-free performance. Function, material compatibility, adequate ratings, proper installation, operation, and maintenance are the responsibilities of the system designer and user. Caution: Do not mix or interchange valve components with those of other manufacturers.